



**Global Technology
and Energy Company**

e.Business

ISP/ASP

Local Area Networks (LAN)

Servers Farms

Servers

INTELLIGENT SWITCH



INTELLIGENT SWITCH improves electrical supply continuity. The principle of operation guarantees a higher reliability level than that achieved using a single UPS (on-line with automatic bypass) or several UPS in parallel.

PRINCIPLE OF OPERATION

The **INTELLIGENT SWITCH** provides electrical distribution and remote management for up to eight network users, powered from either one or two direct mains supplies or UPS or a combination of both.

INTELLIGENT SWITCH can connect each user (up to eight, each with a maximum power demand not greater than 3A), to either of the two power sources (A and B). Load demand is shown on the LCD. See "principle of operation" diagram.

PROTECTION AGAINST POWER SUPPLY FAILURES

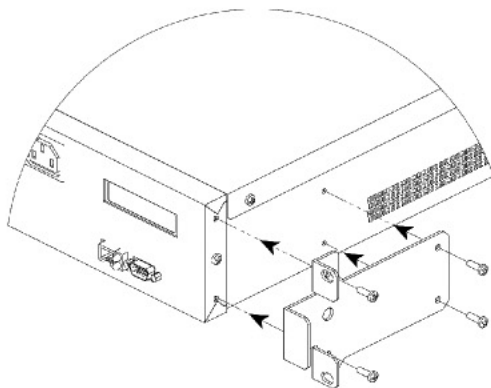
If one of the two power sources fails or falls outside specification, **INTELLIGENT SWITCH** will transfer the connected loads to the second power source (switching is instantaneous even if the two sources are not in phase).

PROTECTION AGAINST FAULTS WITH THE LOAD

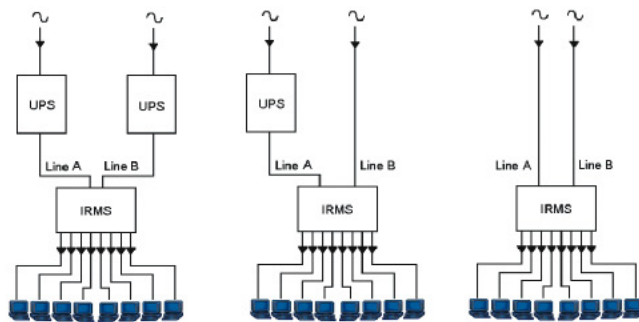
If a fault occurs with one of the loads (for example due to a short-circuit or overload), **INTELLIGENT SWITCH** will disconnect the load to prevent disruption to the others.

CHARACTERISTICS

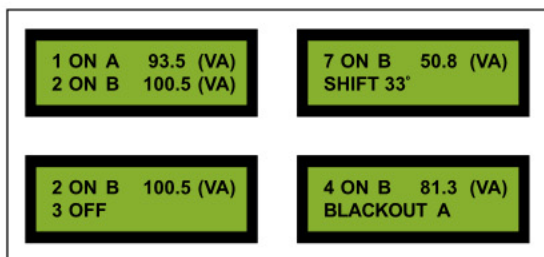
- Full protection against mains failures and load faults.
- Flexible power sources. **INTELLIGENT SWITCH** can be powered from 2 different sources:
2 mains supplies; 2 UPS or a combination of both.
[Note that the UPS can be of a different size]
- Designed for installation in a 19" rack-mount cabinet.
- LCD to provide measurement/ alarms/ states information.
- Remote monitoring serial interface.
- No signal connection is required between **INTELLIGENT SWITCH** and the power sources or supplied hardware.
- Configuration software provided as standard.



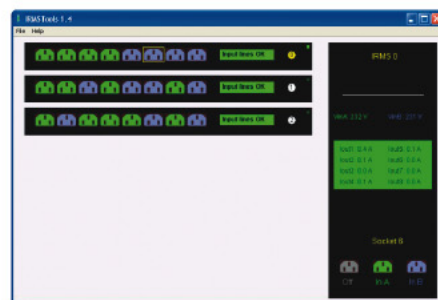
Easy Installation



Different Configuration Methods



LCD Display



Software Tools

Technical Specifications

Input voltage [V]	Min. 180Vac (RMS) single-phase with one line supplying, 50/60Hz Max. 265Vac (RMS) single-phase with two lines supplying, 50/60Hz
Maximum load each output [A]	8 x 4A / 3 x 16A
Maximum load each input [A]	16A / 20A
Output voltage [V]	that of the line input voltage chosen
Mean relay intervention time (ms)	8
Operating conditions	Elevation max. 3,000 m (10,000ft) / < 90% non-condensing humidity / 0 - 40°C
Storage conditions	Elevation max. 15,000m (50,000ft) / 0 - 45°C
Audible noise at 1m (3ft)	< 25dBA
Communication ports	1 RJ-45 10BASE-T for SNMP network adapter version 1 DB9-F RS232 for serial port RS232 version
Casing index of protection	IP20
Safeguards	Overload
Input sockets	2 IEC (16A) / 20A connector
Circuit breaker	16A for each input socket
Output sockets	8 IEC 320 (10A) / 20A connector
Weight [Kg]	5
Rack measurements	2U - 19"
Depth	360mm
Standard compliance	CEI/EN 50091-1-1/EN 50091-2 A LEV/CEI 74-2/EN 60950



G-TEC Europe s.r.l.
Via Ragazzi Del '99,32
36100 Vicenza
Italy
Tel : +39 0444 591420
Fax : +39 0444 365191
Email: info@gtec-eu.com

G-TEC Asia Pacific Pte Ltd
Block 4012, Techplace 1,
Ang Mo Kio Ave 10 #07-07
Singapore 569628
Tel: +65 6555 5014
Fax: +65 6555 4105
Email: info@gtec.com.sg